



## Main Features:-

- ◆ Check Ball Valve
- ◆ Ball material: 2" to 6" Aluminium, 8" to 12" Carbon Steel
- ◆ Inside & Outside with Epoxy coating
- ◆ Working Temperature -10 to + 80C \*

\*Temperature and pressure determined by valve body, seat etc.

## Suitable Applications & Approvals:



HVAC



OIL



GAS



INDUSTRY



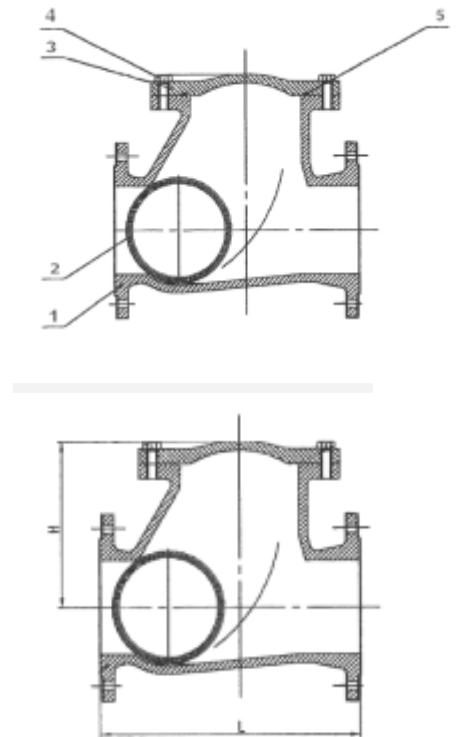
## SERIES: 80219

MANUFACTURER: **GENEBRE**

VALVE MATERIALS & DIMENSIONS

ITEM	SECTION	MATERIAL	ADDITIONAL INFO / OPTIONS
1	Body	GGG-40	Epoxy coated
2	Ball	Aluminium + NBR(2"to6")	Carbon Steel + NBR (8"to12")
3	Cap	GGG-40	n/a
4	Bolt	SS	n/a
5	Gasket	NBR	n/a

REF	SIZE	PN	H	L	Kg
80219-09	2"	16	106	200	7.9
80219-10	2 1/2"	16	129	240	12.8
80219-11	3"	16	146	260	14
80219-12	4"	16	194	300	21.1
80219-13	5"	16	207	350	36.8
80219-14	6"	16	260	400	41.9
80219-16	8"	16	322	500	121
80219-18	10"	16	388	600	176



## ALL VALVES ONLINE

Offering a full range of actuated valve packages, manual valve range, pipe fittings and pumps, we have a product for all your requirements. As an ISO 9001-2015 Quality Approved and certified company, All Valves offer a quality service from pre-sale to post sale. Shipping millions of pounds in value of manual valve and actuated valve packages all over the world since its formation, All Valves are a trusted valve and actuator supplier to many companies all over the world. Working with the leading brands in most industries.



T +44 (0)1386 552369

E sales@allvalves.co.uk

W www.allvalves.co.uk

F +44 (0)1386 554227

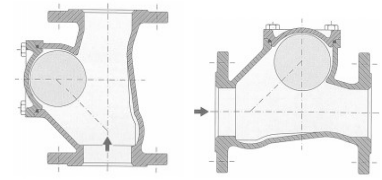


Genebre are a global brand of industrial valves with large stocks held for fast delivery on various type of valves, sizes, end connections and materials.

**SERIES: 80219**

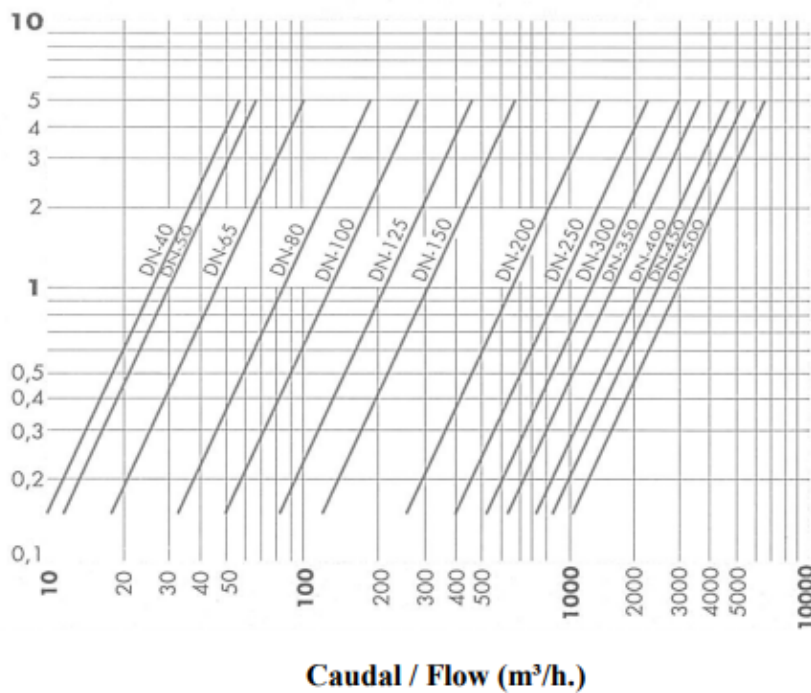
TORQUE / Kv VALUES / PRESSURE & TEMP CHART

REF	SIZE	Kv	Opening pressure	Opening pressure	KV VALUES:
80219-09	2"	95	Flow: ↑ 2.5	Flow: → Near 0	- The Kv values (M3 per hour) is the flow of water at a temperature of 5C to 30C (41F to 86F) at p of 1 bar
80219-10	2 1/2"	140	3	Near 0	
80219-11	3"	240	16	Near 0	
80219-12	4"	370	16	Near 0	
80219-13	5"	600	17	Near 0	
80219-14	6"	890	20	Near 0	
80219-16	8"	1910	25	Near 0	
80219-18	10"	3003	38	Near 0	



### PRESSURE AND TEMPERATURE CHART

$\Delta p$  (m.c.a)



### ALL VALVES ONLINE

Offering a full range of actuated valve packages, manual valve range, pipe fittings and pumps, we have a product for all your requirements. As an ISO 9001-2015 Quality Approved and certified company, All Valves offer a quality service from pre-sale to post sale. Shipping millions of pounds in value of manual valve and actuated valve packages all over the world since its formation, All Valves are a trusted valve and actuator supplier to many companies all over the world. Working with the leading brands in most industries.

AllValves Online™ have used decades of experience in the valve industry to select a range of products that match the Allvalves Online ethos - value for money. All Valves Products are from reputable sources and have been sold in significant quantities for many years, are installed in a wide variety of applications, and are known to be durable in service.



**T** +44 (0)1386 552369

**E** sales@allvalves.co.uk

**W** www.allvalves.co.uk

**F** +44 (0)1386 554227